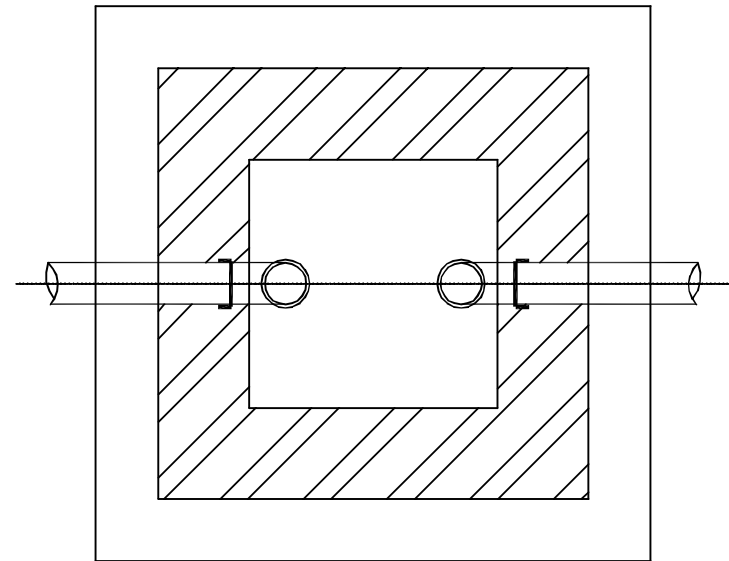



GREASE TRAP DETAIL



PLAN

AB ANDISH ENGINEERING CO.		 آب اندیش
DESIGNED BY: <i>A. Malek</i>	PROJ. No.	
DRAWN BY: <i>Sh. Malek</i>	DRAW. No.	
CHECKED BY: <i>T. Forouhar</i>		
DATE :	SIGN.	To:

چربی گیر