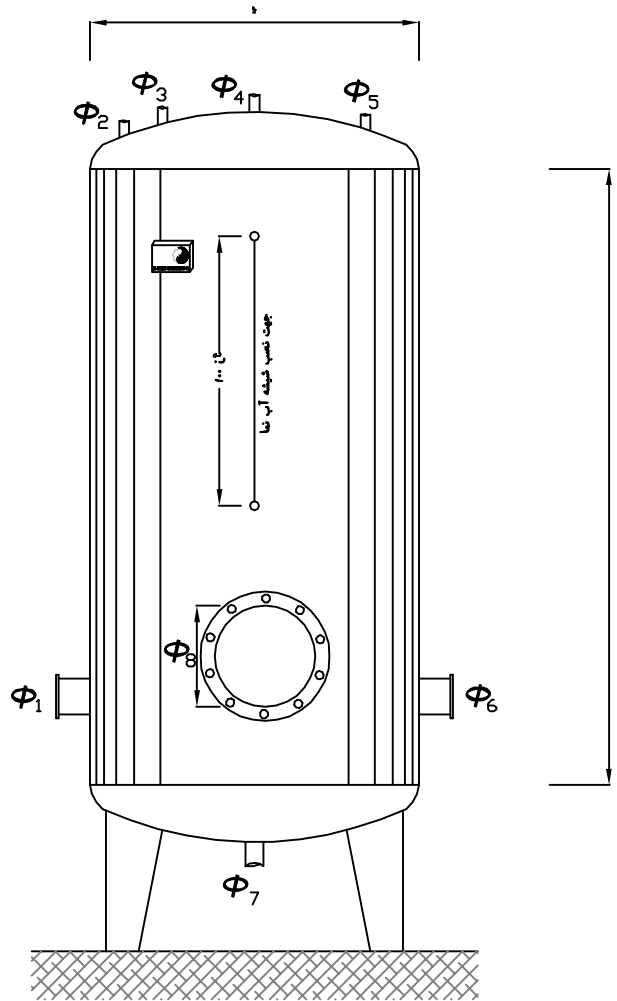


PRESSURE VESSEL TANK



PRESSURE VESSEL TANK	D	H	Φ ₁	Φ ₂	Φ ₃	Φ ₄	Φ ₅	Φ ₆	Φ ₇	Φ ₈

AB ANDISH ENGINEERING CO.

DESIGNED BY: **A.Malek**

PRDJ No.

DRAWN BY: **Sh.Malek**

DRAW. No.

CHECKED BY: **T.Forouhar**

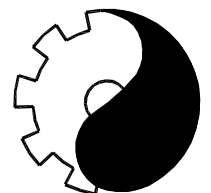
DATE :

SIGN.

PRESSURE VESSEL TANK

مخزن تحت فشار

To:



آب اندیش