

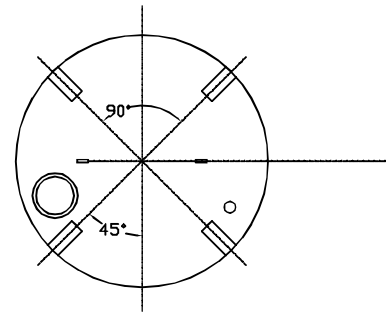
### TECHNICAL DATA

MODEL	SP-50	SP-60	SP-75	SP-90	SP-100	SP-125	SP-140	SP-150	SP-180	SP-210	SP-240	SP-270	SP-290
Filter Diameter Cm.	50	60	75	90	100	125	140	150	180	210	240	270	290
Cylinder Height Cm.	100	120	120	150	150	150	150	150	150	150	150	150	150
Pipe Size in.	1 1/2	1 1/2	2	2	2	2 1/2	3	3	4	4	4	5	5
Capacity (in Low Rate) m3/hr*	1.9	2.8	4.4	6.3	7.8	12.2	15	17.6	25.4	34.6	45	57	66
Capacity (in Low Rate) GPM	8.36	12.32	18.36	27.2	32.82	66	71.44	111.76	182.24	198	230.8	230.4	
Back Wash Flow Rate m3/hr	4	6	9	13	16	25	30	35	50	70	90	115	135
Back Wash Flow Rate GPM	17.6	25.4	38.6	57.2	70.4	110	132	154	220	308	398	506	594
Height of Sand Cm.	80	100	100	100	100	100	100	100	100	100	100	100	100
Max. Working Pressure bar	5	5	5	5	5	5	5	5	5	5	5	5	5
Max. Back Wash Pressure bar	2	2	2	2	2	2	2	2	2	2	2	2	2
Test Pressure bar	7.5	7.5	7.5	7.5	7.5	7.5	7.5	7.5	7.5	7.5	7.5	7.5	7.5

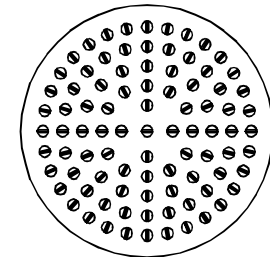
\* Note: Cap.At 4GPM/ft<sup>2</sup>(10m<sup>3</sup>/hr/m<sup>2</sup>)

### FILTRATION SILICA'S ANALYSIS:

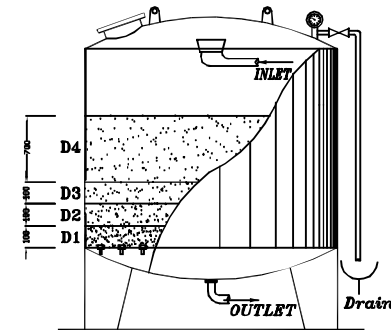
% NET	SiO <sub>2</sub>	Al <sub>2</sub> O <sub>3</sub>	Fe <sub>2</sub> O <sub>3</sub>	TiO <sub>2</sub>	CaO	MgO	Na <sub>2</sub> O	K <sub>2</sub> O	SO <sub>3</sub>	QUALITY GRADE
	98.45	0.87	0.06	0.01	0.07	0.12	0.11	0.04	0.01	EXCELLENT



Support Localization

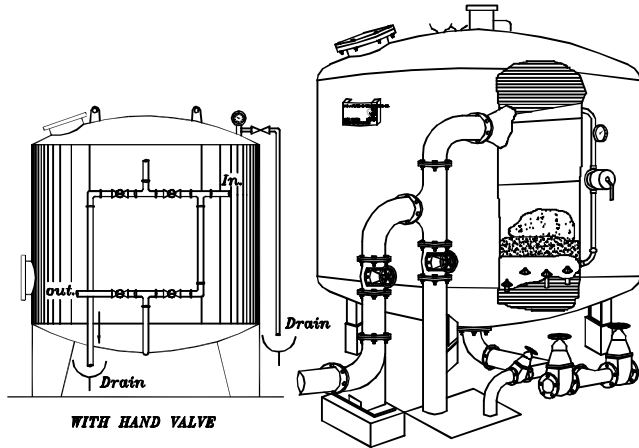


NOZZLE PLATE



WITH HAND VALVE

SILICA LAYER SIZE (mm)	8-12	5-8	2-4	0.5-1.5
SILICA LAYER THICKNESS (mm)	100	100	100	700



WITH HAND VALVE

WITH MULTIPORT VALVE

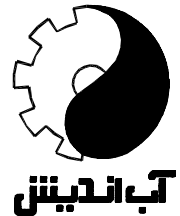
### AB ANDISH ENGINEERING CO.

DESIGNED BY:  
**A.Malek**  
DRAWN BY:  
**Sh.Malek**  
CHECKED BY:  
**T.Forouhar**  
DATE :

PROJ No.  
DRAW. No.  
SIGN.

SAND PRESSURE FILTER  
فیلتر فشار شنی

To:



آب اندیش