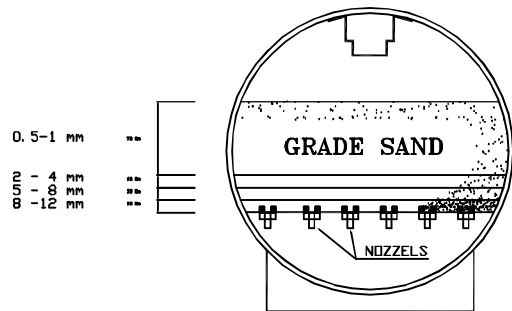


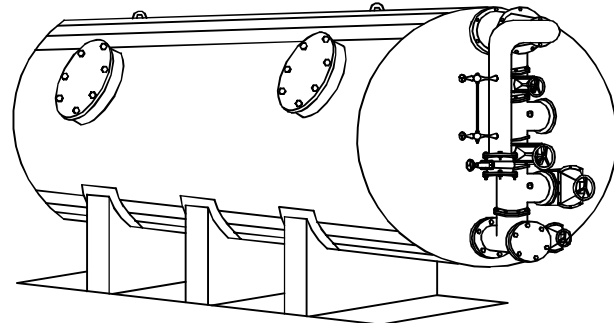
**TECHNICAL DATA HORIZONTAL PRESSURE FILTER**

MODEL	F-12	F-15	F-18	F-21	F-24	F-27	F-33	F-30
CAPACITY (AT 10m/hr) m <sup>3</sup> /hr	80	100	120	140	160	180	200	240
FILTER DIAMETER Cm	250	250	250	250	250	250	250	250
LENGHT OF CYLINDER Cm	360	450	540	630	720	810	900	1000
PIPE SIZE in.	6	6	6	6	8	8	8	8
BACK WASH FLOW RATE m <sup>3</sup> /hr	90	110	130	144	186	225	285	345
MAX. PRESSURE bar	5	5	5	5	5	5	5	5

NOTE: CAPACITY AT 4 GPM/ft<sup>2</sup>(10 m<sup>3</sup>/hr/m<sup>2</sup>)

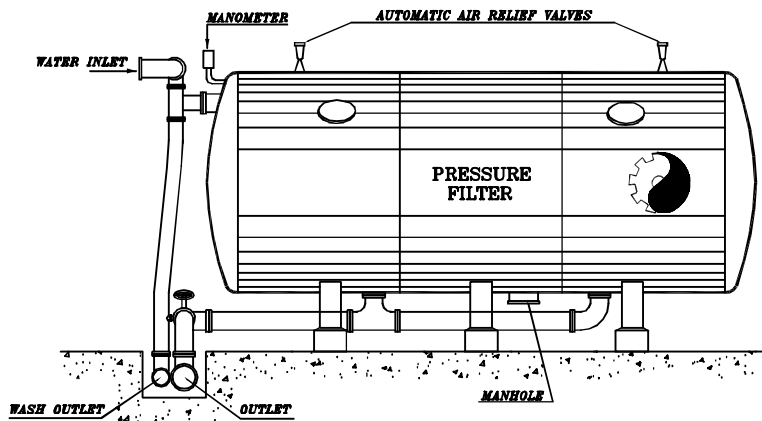


SILICA LAYER SIZE (mm)	8-12	5-8	2-4	0.5-1.5
SILICA LAYER THICKNESS (mm)	100	100	100	700



**Filtration QUARTZ SILICAES's Analysis.**

Lab No.	Desert No.	% Net SiO <sub>2</sub>	Al <sub>2</sub> O <sub>3</sub>	Fe <sub>2</sub> O <sub>3</sub>	TiO <sub>2</sub>	CaO	MgO	Na <sub>2</sub> O	K <sub>2</sub> O	So <sub>3</sub>	Temp. loss at 990°	Quality Grade	A.F.S.	Uniformity Coefficient
3162	A	98.45	0.87	0.06	0.01	0.07	0.12	0.11	0.04	0.01	0.14	EXCELLENT	9	1.7
3163	B	97.86	1.15	0.09	0.02	0.14	0.12	0.11	0.08	0.02	0.31	2nd Class	7	1.62
3164	C	98.07	0.96	0.07	0.01	0.13	0.12	0.10	0.04	0.01	0.30	1st Class	6.7	1.8



**AB ANDISH ENGINEERING CO.**

DESIGNED BY: **A.Malek**  
 DRAWN BY: **Sh.Malek**  
 CHECKED BY: **T.Forouhar**  
 DATE :

PROJ No.  
 DRAW. No.  
 SIGN.  
 To:

فیلتر فشار شنی  
 نوع افقی

