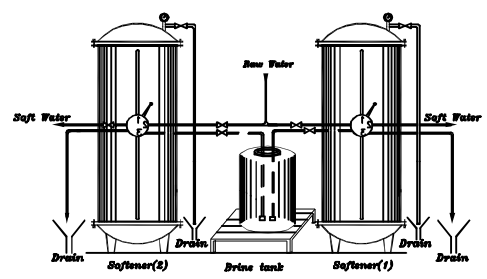
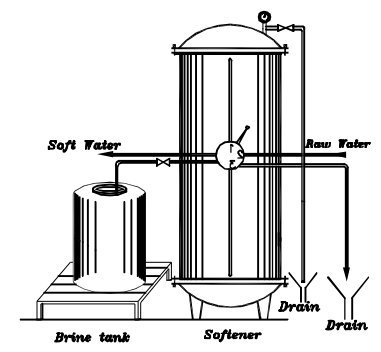
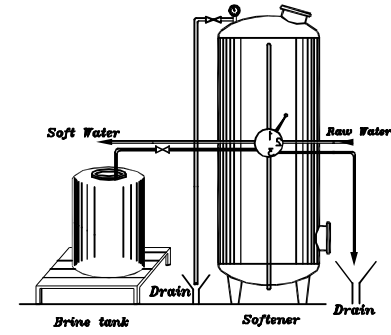


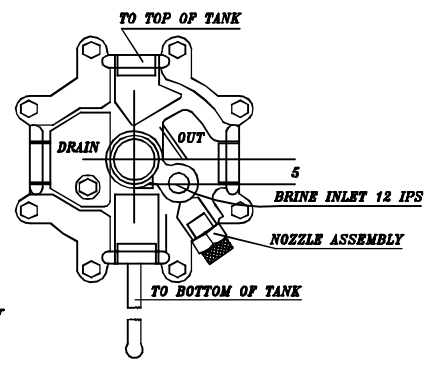
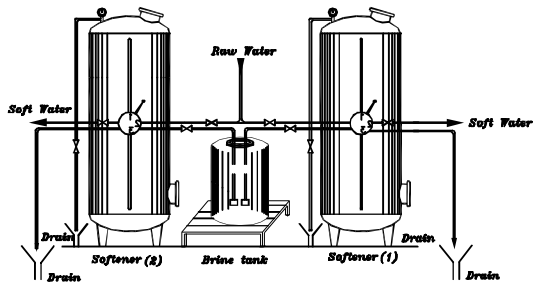
TECHNICAL DATA

WATER SOFTENER

MODEL	S.25		S.30		S.35		S.40		S.50			S.60		S.75			S.90			S.100	S.110	S.120	S.130	S.140	S.150	S.170
CAPACITY K.Gr	30	60	75	90	120	150	180	200	250	300	400	500	600	700	800	1000	1500	2000	2500	2800	3200	4000				
SOFTENER DIAMETER Cm	25	30	30	35	40	50	50	50	60	60	75	75	90	90	90	100	110	120	130	140	150	170				
CYLINDER HEIGHT OF TANK	100	120	150	150	150	160	180	150	180	150	180	150	180	200	200	250	300	300	300	300	300	300				
SOFT WATER FLOW RATE m ³ /hr	1.5	2.5	2.7	3	3.6	4	4.6	5.5	6.8	9	12	15	20	25	28	33	35	55	75	80	90	100				
SOFT WATER FLOW RATE GPM	6.6	11	12	13.2	15.8	17.6	20	24	30	40	53	66	88	110	123	145	154	242	330	352	396	440				
Max. WORKING PRESSURE Bar	5	5	5	5	5	5	5	5	5	5	5	5	5	5	5	5	5	5	5	5	5	5				
Min. WORKING PRESSURE Bar	1.5	1.5	1.5	1.5	1.5	1.5	1.5	1.5	1.5	1.5	1.5	1.5	1.5	1.5	1.5	1.5	1.5	1.5	1.5	1.5	1.5	1.5				
RESIN CONTENT(LIT)	25	50	70	85	112	140	170	189	236	283	377	472	566	708	755	943	1415	1887	2358	2641	3018	3773				
REGENERATION SALT(Kg)	9	12.5	17	21	28	35	42.5	47.5	59	70	94.2	118	141.5	177	189	236	353	471	590	660	755	943				
SALT TANK CAP (LIT)	100	100	100	100	140	140	150	200	230	300	400	500	500	1000	1000	1000	1500	2000	2500	3000	3500	4000				
PIPE SIZE(In)	3/4	3/4	3/4	1"	1"	1"	1"	1"	1"	1 1/4	1 1/4	1 1/2	1 1/2	2"	2"	2 1/2	2 1/2	4"	4"	4"	4"	4"				
THICKNESS OF PLATE (mm)	3	3	3	3	4	4	4	4	4-5	4-5	4-5	4-5	5-6	5-6	5-6	5-6	6	6	6	6-8	6-8	8				
METER SIZE (In)	—	—	—	—	—	—	—	—	—	—	—	—	—	—	—	—	—	—	—	—	—	—				



Duplex Water Softener



Example : MANUAL MULTIPORT VALVE of Model S.30

RESIN'S CHARACTERISTICS:

CATION EXCHANGE RESIN	TYPE	IONIC FORM	TOTAL VOLUME CAPACITY (Meq)	SHIPPING WEIGHT	WATER RETENTION %	SPECIFIC GRAVITY MOIST N _d
	STRONG ACID Poly-STYRENE	Na ⁺	2.0 eq/Lit	805-845 g/Lit	44-48	1.29

AB ANDISH ENGINEERING CO.

DESIGNED BY: **A.Malek**
 DRAWN BY: **Sh.Malek**
 CHECKED BY: **T.Forouhar**
 DATE :

PROJ No.
 DRAW. No.
 SIGN.

WATER SOFTENER
سختی گیر
 To:

