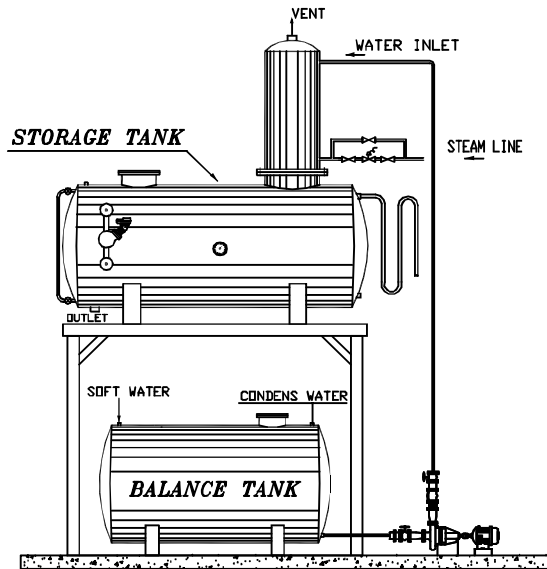
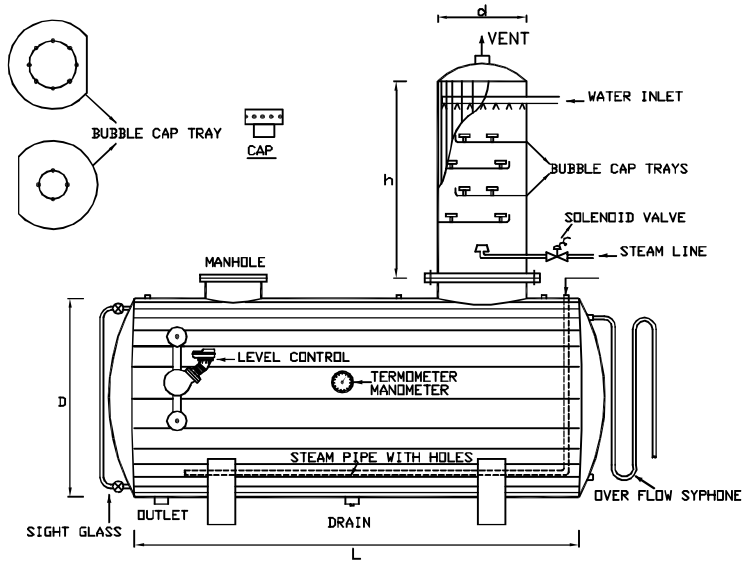


(THERMAL DEAERATOR)



MODEL		D-1	D-2	D-3	D-4	D-5	D-6	D-7	D-8	D-9
CAPACITY	m ³ /hr	2.7	5	7.5	10	15	20	30	45	50
	GPM	11.9	22	33	44	66	88	132	198	220
TOTAL HEIGHT OF UNIT Cm.		275	295	315	350	370	390	400	450	480
TOTAL LENGTH OF UNIT Cm.		240	240	250	350	350	350	400	450	450
WIDTH OF UNIT Cm.		120	150	170	170	185	200	210	230	250
D	DIAMETER OF STORAGE TANK Cm.	75	100	120	120	135	150	160	180	200
L	LENGTH OF CYLINDER Cm.	200	200	200	300	300	300	350	400	400
	VOL. OF STORAGE TANK m ³	0.9	1.57	2.2	3.4	4.3	5.3	7	10	12.5
d	DIAMETER OF DEARATOR Cm.	30	40	50	60	70	75	80	90	95
h	HEIGHT OF DEARATOR Cm.	150	150	150	180	180	180	180	200	200
WATER INLET LINE In.		1"	1 1/2"	2"	2"	2"	2 1/2"	2 1/2"	3"	3"
WATER OUTLET LINE In.		1 1/2"	2"	2 1/2"	3"	3"	3"	3"	4"	4"
STEAM INLET In.		3/8"	1/2"	1/2"	3/4"	1"	1"	1 1/4"	1 1/2"	2"
VENT SIZE In.		1"	1 1/2"	1 1/2"	1 1/2"	2"	2"	2"	2"	2"

NOTE:

- * THIS DEAERATOR IS OF ATMOSPHERIC TYPE.
- * FOR HIGHER TEMPERATURES AN (OPTIONAL) THERMOSTATIC VALVE CAN BE SUPPLIED.
- * TOWER , CAP & BUBBLE CAP TRAYS'S MATERIAL IS STAINLESS STEEL.
- * STORAGE TANK'S COATING IS PRIMER & FINAL EPOXY.

AB ANDISH ENGINEERING CO.		THERMAL DEAERATOR دی اریٹور حرارتی	 آب اندیش
DESIGNED BY: A. Malek	PROJ No.		
DRAWN BY: Sh. Malek	DRAW. No.		
CHECKED BY: T. Forouhar			
DATE :	SIGN.	To:	