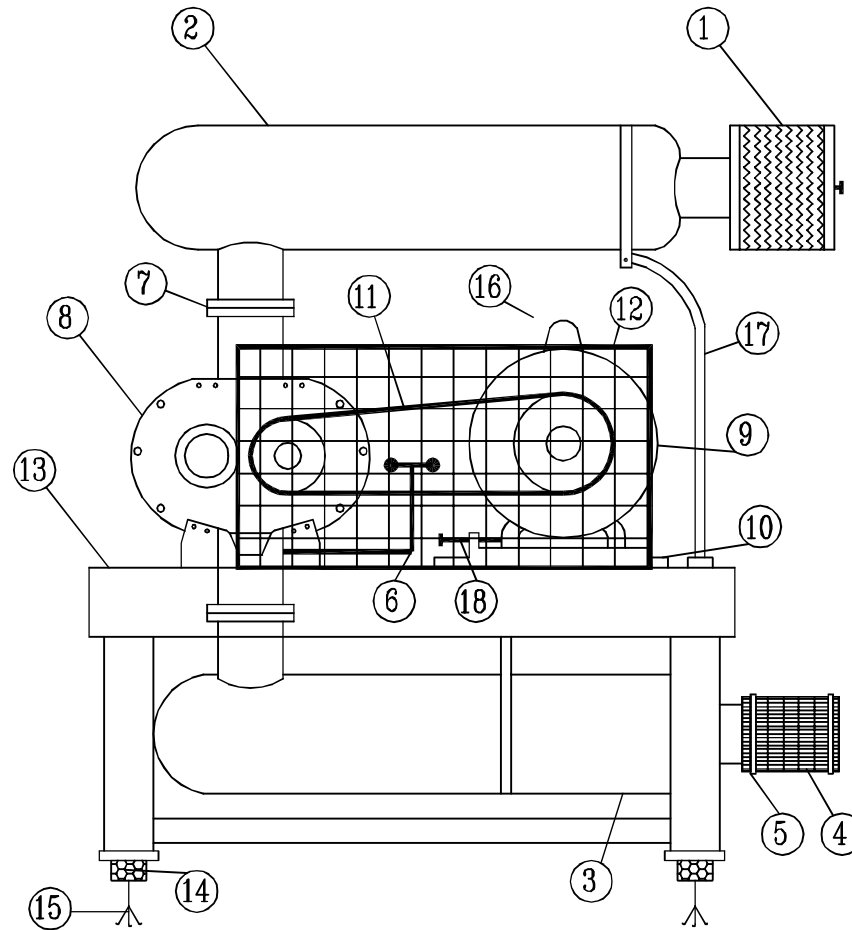


ITEM	DESCRIPTION
1	AIR INTAKE FILTER
2	INLET SIDE SILENCER
3	DISCHARGE SILENCER
4	FLEXIBLE CONNECTION
5	CLAMP
6	THERMOMETER AND PRESSUREMETER
7	FLANGE
8	BLOWER
9	MOTOR
10	SLIDEBASE
11	V - BELT
12	DRIVE GUARD
13	BASEPLATE
14	ANTIVIBRATION MOUNTING
15	ANCHOR
16	CLOCKWISE ROTATION
17	SILENCER SUPPORTS
18	ADJUSTING SCREW



AB ANDISH ENGINEERING CO.

DESIGNED BY:
A. Malek

DRAWN BY:
Sh. Malek

CHECKED BY:
T. Forouhar

DATE :

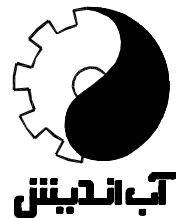
PROJ. No.

DRAW. No.

SIGN.

بلوئر

To:



آب اندیش