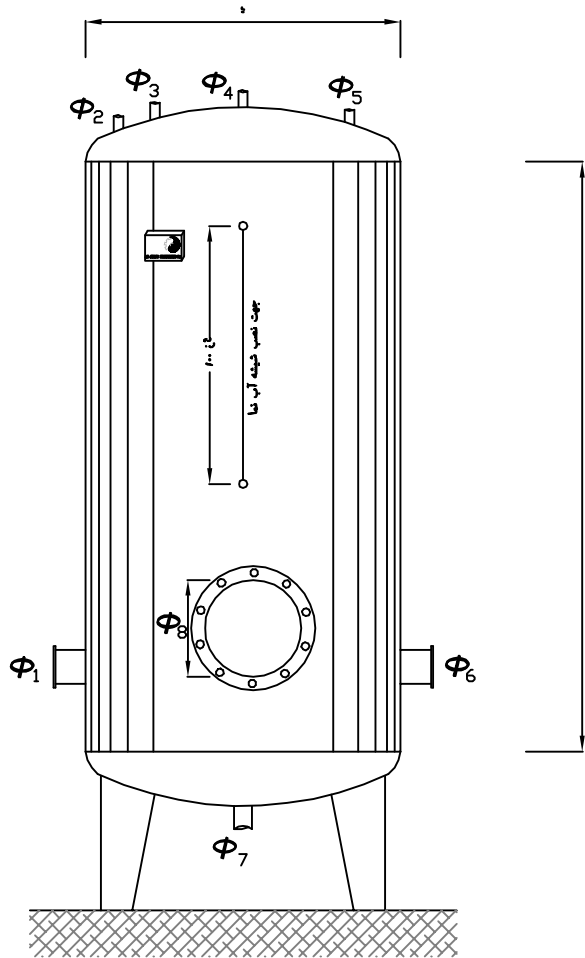


PRESSURE VESSEL TANK



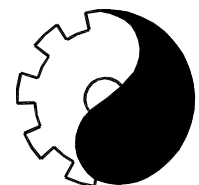
PRESSURE VESSEL TANK	D	H	Φ ₁	Φ ₂	Φ ₃	Φ ₄	Φ ₅	Φ ₆	Φ ₇	Φ ₈

AB ANDISH ENGINEERING CO.

DESIGNED BY: A. Malek	PRDJ No.
DRAWN BY: Sh. Malek	DRAW. No.
CHECKED BY: T. Forouhar	
DATE :	SIGN.

PRESSURE VESSEL TANK

To:



آب اندیش