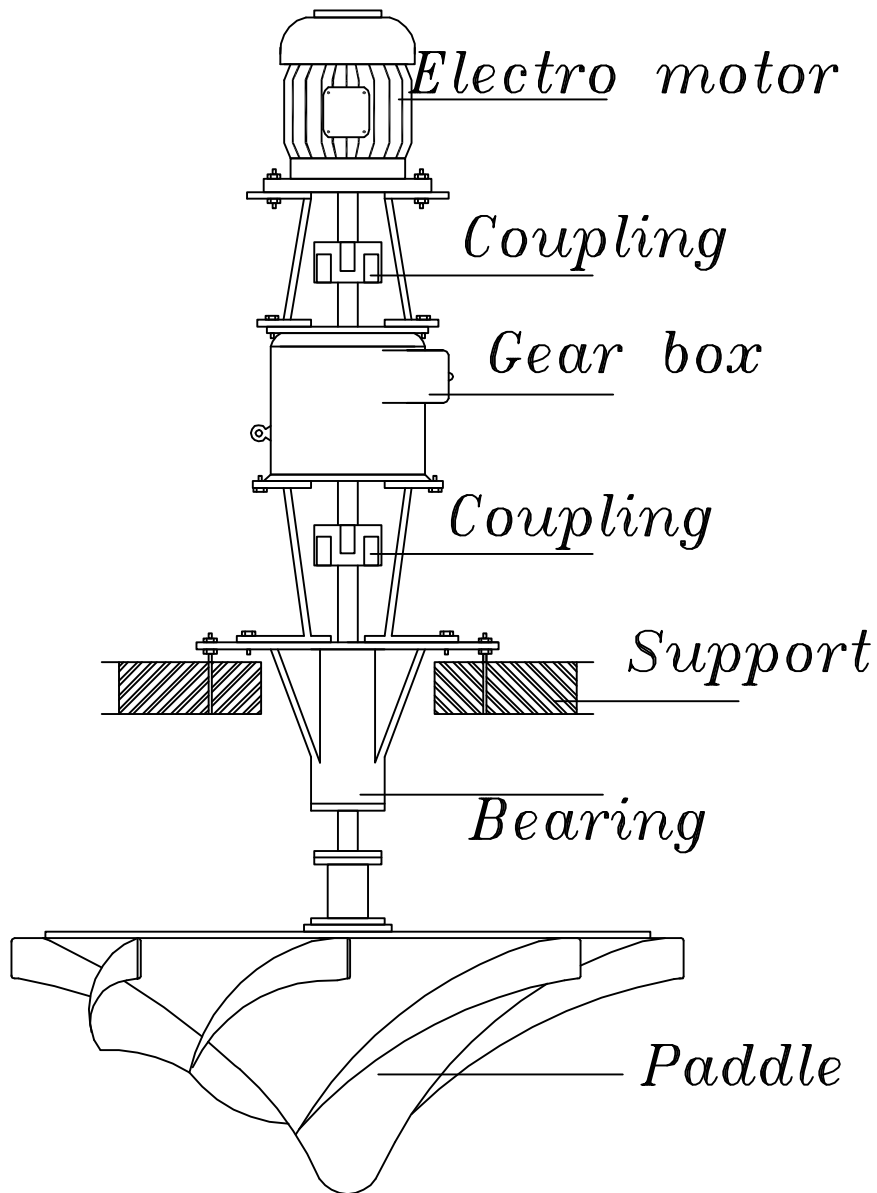


# Fixed Surface Aerator



**AB ANDISH ENGINEERING CO.**

DESIGNED BY:  
**A. Malek**

PROJ No.

DRAWN BY:  
**Sh. Malek**

DRAW. No.

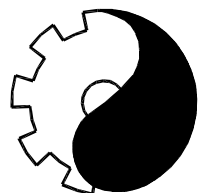
CHECKED BY:  
**T. Forouhar**

DATE :

SIGN.

*Fixed  
Surface Aerator*

To:



**آب اندیشان**