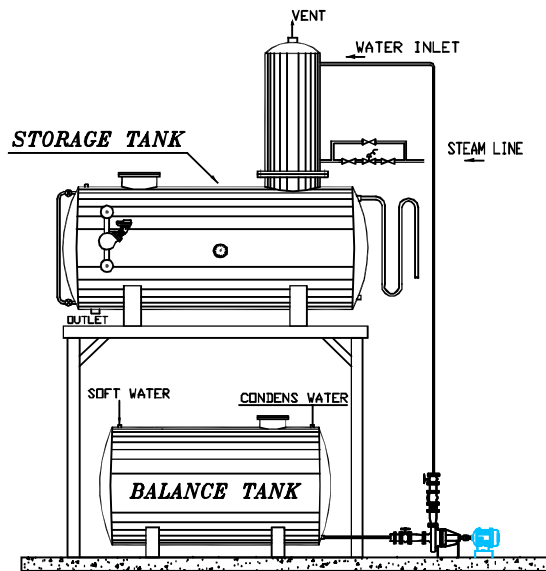
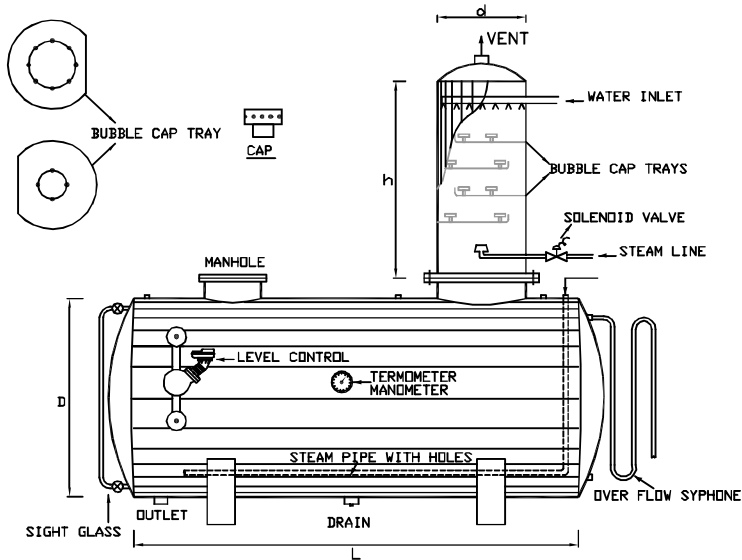


**(THERMAL DEAERATOR)**



| MODEL                    |                                     | D-1    | D-2    | D-3    | D-4    | D-5 | D-6    | D-7    | D-8    | D-9  |
|--------------------------|-------------------------------------|--------|--------|--------|--------|-----|--------|--------|--------|------|
| CAPACITY                 | m <sup>3</sup> /hr                  | 2.7    | 5      | 7.5    | 10     | 15  | 20     | 30     | 45     | 50   |
|                          | GPM                                 | 11.9   | 22     | 33     | 44     | 66  | 88     | 132    | 198    | 220  |
| TOTAL HEIGHT OF UNIT Cm. |                                     | 275    | 295    | 315    | 350    | 370 | 390    | 400    | 450    | 480  |
| TOTAL LENGTH OF UNIT Cm. |                                     | 240    | 240    | 250    | 350    | 350 | 350    | 400    | 450    | 450  |
| WIDTH OF UNIT Cm.        |                                     | 120    | 150    | 170    | 170    | 185 | 200    | 210    | 230    | 250  |
| D                        | DIAMETER OF STORAGE TANK Cm.        | 75     | 100    | 120    | 120    | 135 | 150    | 160    | 180    | 200  |
| L                        | LENGTH OF CYLINDER Cm.              | 200    | 200    | 200    | 300    | 300 | 300    | 350    | 400    | 400  |
|                          | VOL. OF STORAGE TANK m <sup>3</sup> | 0.9    | 1.57   | 2.2    | 3.4    | 4.3 | 5.3    | 7      | 10     | 12.5 |
| d                        | DIAMETER OF DEARATOR Cm.            | 30     | 40     | 50     | 60     | 70  | 75     | 80     | 90     | 95   |
| h                        | HEIGHT OF DEARATOR Cm.              | 150    | 150    | 150    | 180    | 180 | 180    | 180    | 200    | 200  |
| WATER INLET LINE In.     |                                     | 1"     | 1 1/2" | 2"     | 2"     | 2"  | 2 1/2" | 2 1/2" | 3"     | 3"   |
| WATER OUTLET LINE In.    |                                     | 1 1/2" | 2"     | 2 1/2" | 3"     | 3"  | 3"     | 3"     | 4"     | 4"   |
| STEAM INLET In.          |                                     | 3/8"   | 1/2"   | 1/2"   | 3/4"   | 1"  | 1"     | 1 1/4" | 1 1/2" | 2"   |
| VENT SIZE In.            |                                     | 1"     | 1 1/2" | 1 1/2" | 1 1/2" | 2"  | 2"     | 2"     | 2"     | 2"   |

**NOTE:**

- \*THIS DEAERATOR IS OF ATMOSPHERIC TYPE.
- \*FOR HIGHER TEMPERATURES AN (OPTIONAL) TERMOSTATIC VALVE CAN BE SUPPLIED.
- \*TOWER , CAP & BUBBLE CAP TRAYS'S MATERIAL IS STAINLESS STEEL.
- \*STORAGE TANK'S COATING IS PRIMER & FINAL EPOXY.

**AB ANDISH ENGINEERING CO.**

DESIGNED BY:  
**A. Malek**

DRAWN BY:  
**Sh. Malek**

CHECKED BY:  
**T. Forouhar**

DATE :

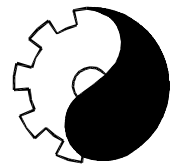
PROJ No.

DRAW. No.

SIGN.

THERMAL DEAERATOR

To:



**آب اندیش**