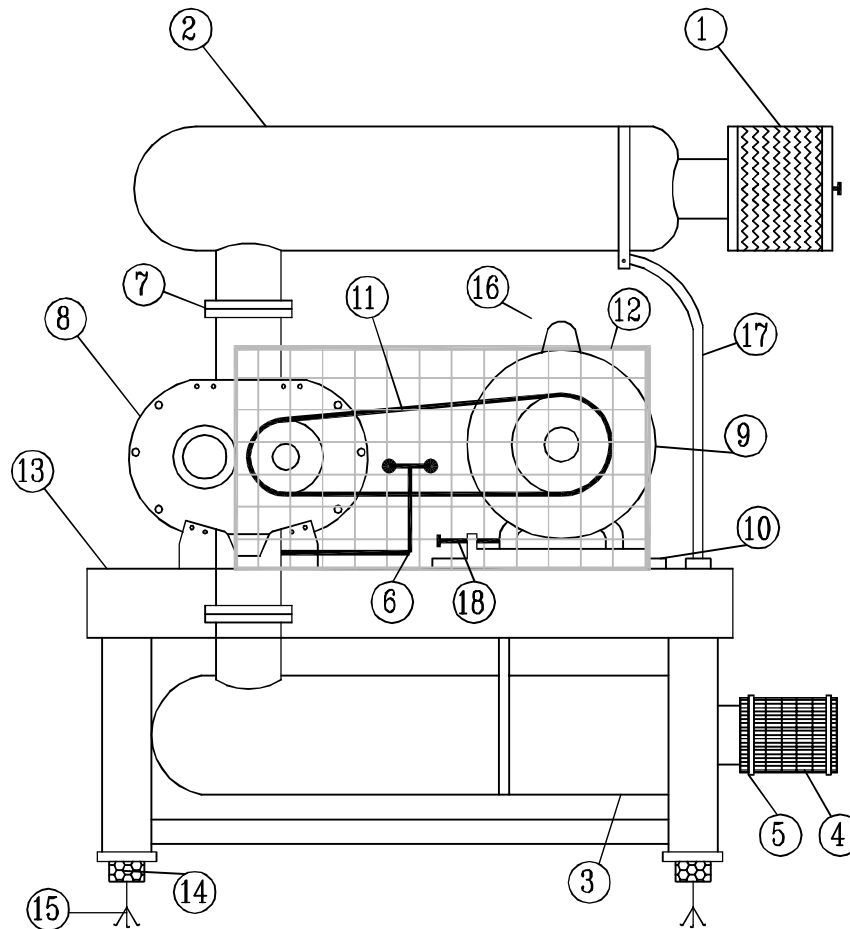


ITEM	DESCRIPTION
1	AIR INTAKE FILTER
2	INLET SIDE SILENCER
3	DISCHARGE SILENCER
4	FLEXIBLE CONNECTION
5	CLAMP
6	THERMOMETER AND PRESSUREMETER
7	FLANGE
8	BLOWER
9	MOTOR
10	SLIDEBASE
11	V - BELT
12	DRIVE GUARD
13	BASEPLATE
14	ANTIVIBRATION MOUNTING
15	ANCHOR
16	CLOCKWISE ROTATION
17	SILENCER SUPPORTS
18	ADJUSTING SCREW



### AB ANDISH ENGINEERING CO.

DESIGNED BY:  
*A. Malek*

DRAWN BY:  
*Sh. Malek*

CHECKED BY:  
*T. Forouhar*

DATE :

PROJ. No.

DRAW. No.

SIGN.

*Air Blower*

To:

